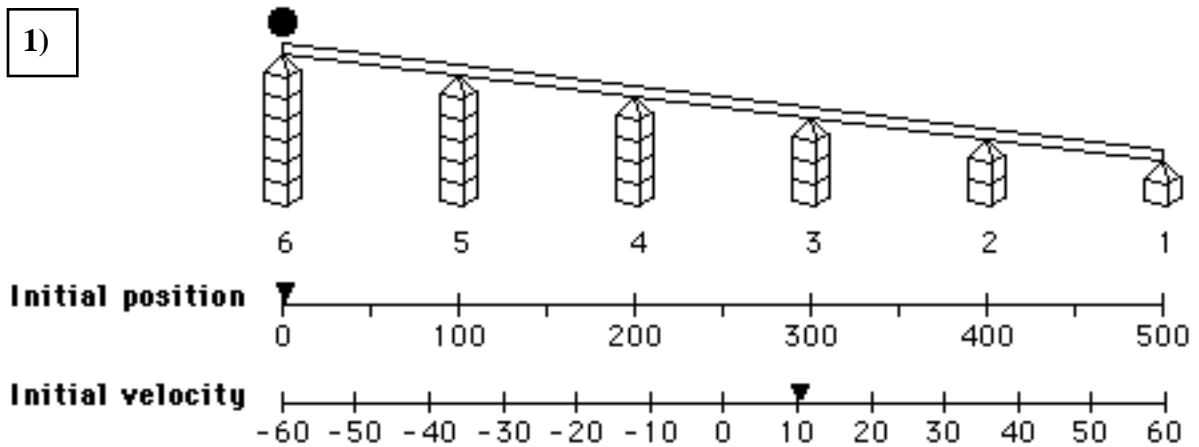


UNIT III: Graphs and Tracks worksheet 2

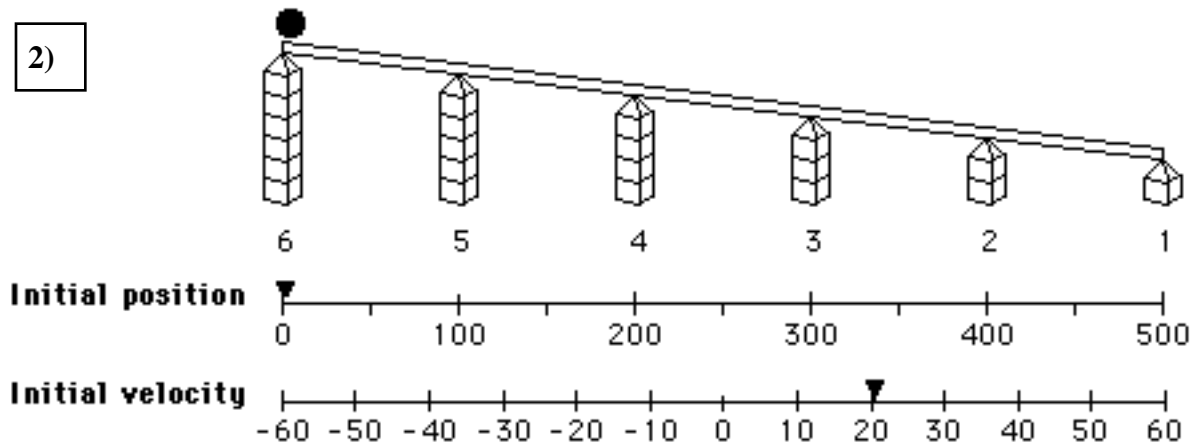
Constant Acceleration with an Initial Speed

Open up graphs and tracks , select free exploration, and set the parameters as shown below in each example. Construct the set of graphs you believe will be reproduced when you select roll. Compare your prediction with that produced by the program. Correct your graphs.

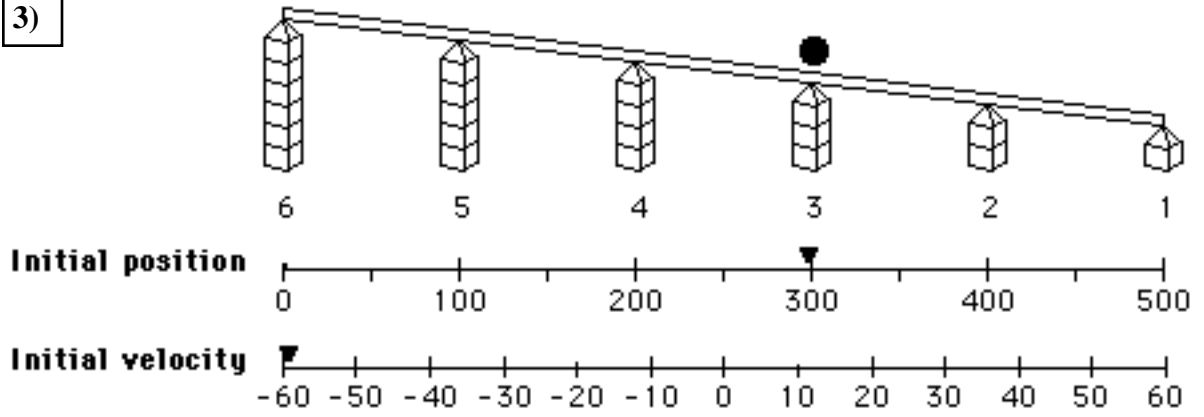
1)



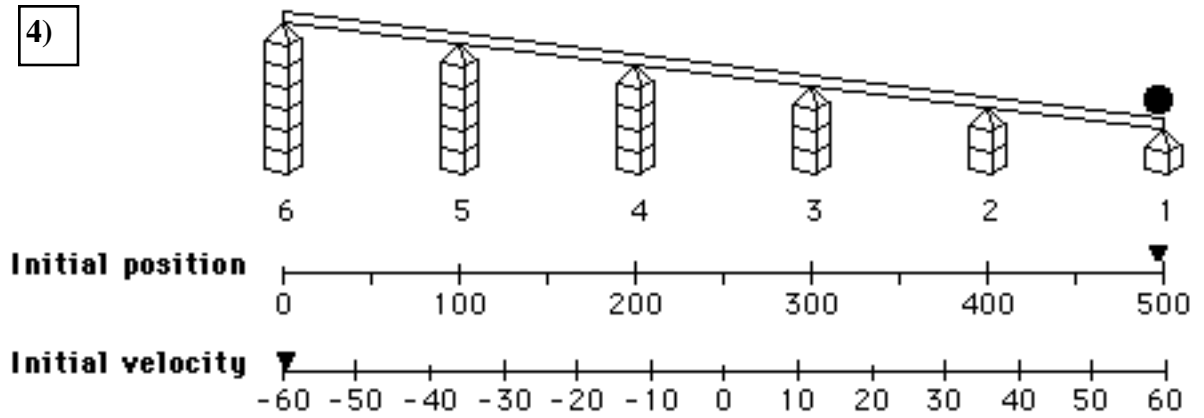
2)



3)



4)



5)

